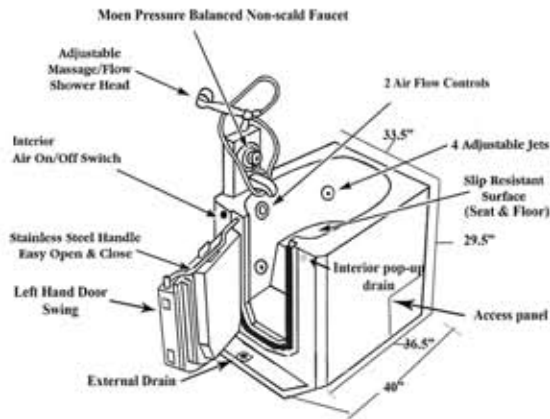


## Safety Bath Serenity

33.5"W x 29.5"H x 36.5"L



# SAFETY Bath

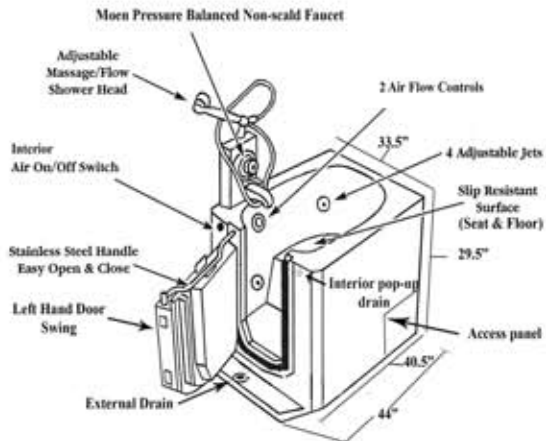
## Serenity

&

## Stretch

## Safety Bath Stretch

33.5"W x 29.5"H x 40.5"L



## SAFETY BATH INC.

504 5th Ave. NE

P.O. Box 53

Ituna, SK Canada S0A 1N0

Phone: (306) 795 3465

Toll Free: 1 877 826 6666

Fax: (306) 795 3533

Email: [safetybath@sasktel.net](mailto:safetybath@sasktel.net)

Website: <http://www.safetybath.com>



# SAFETY *Bath* INC.

invites you to **Have A Safe Bath!**

Safety Bath Inc., manufacturer of the walk in bathtub since 1992, is changing the way people bathe by offering safe and accessible bathtub options.

The *Serenity* model and the *Stretch* (its slightly larger counterpart) are designed to make it possible for the user to bathe independently or with minimal assistance.

**Several features make Safety Bath space-saving walk-in bathtubs unique:**

- Safety Bath's **outward swing door technology** make space-saving size a reality. The outward swing door also provides for **emergency access**.
- Safety Bath's size makes **installation possible in any bathroom** and ensures **lower water usage**.

- Safety Bath walk in bathtubs feature a **low entry step for accessibility**. The floor of a Safety Bath is only 2" above the bathroom floor.
- **All controls in the Safety Bath are within easy reach** and can be easily used by an individual with weak or arthritic fingers.
- **Slip-resistant** surface on the floor.
- **Sides at a comfortable height** for entry and arm support.

## THE SERENITY

**Measures 33.5"W x 29.5"H x 36.5"L**  
The Serenity offers a molded seat with removable booster seat.

### SERENITY OPTIONS

- 4 jet whirlpool system with 2 air volume controls
- 12 jet warm air massage system with check valves, warm air blower and touch pad control
- Molded corner skirt
- Seat warmer
- Platform for shallow drain installations

## THE STRETCH

**Measures 33.5"W x 29.5"H x 40.5"L**

- Slightly longer version of the Serenity
- Recommended for those over 6 ft tall and or over 300 lbs.

The Stretch model has a raised seat and therefore does not require a booster seat.

### STRETCH OPTIONS

- 4 jet whirlpool system with 2 air volume controls
- 12 jet warm air massage system with check valves, warm air blower and touch pad controls
- Molded corner skirt
- Seat warmer

**Both Serenity and Stretch models include:**

- Outward swing door with choice of left hand or right hand hinge
- Pop up drain with waste overflow
- External drain kit
- Trim boards
- Grab bar on the door